

POTENTIOMETER FOR EC MOTOR TLR 010

Manual speed controller

TLR 010 is a potentiometer applicable to external programming of EC-motors and all kind of domestic and industrial facilities who needs a 10KOhm resistor, to give a maximum voltage supply of 12Vdc/1mA.

The programmed output voltage is set stepless from 0 to maximum by the rotary button that also can switch ON/OFF.

Especially for the manual control of speed and airflow of electrical fans with 0-10V output, frequency inverters, and EC motors.

Specifications

- Resistance: 10K Ohm (-20%/+20%)
- Switch rating 2A/250Vac
- Switch ON/OFF on potentiometer
- Regulation Min. to Max.
- Inset mounting IP44
- Surface mounting IP54
- Enclosure external plastic: ABS-V0 plastic, RAL 9010
- Enclosure internal plastic: polyamide
- Ambiental temperature range: 0-35°C
- Storage temperature range: 0-40°C
- Dimensions: 85x85x75 mm



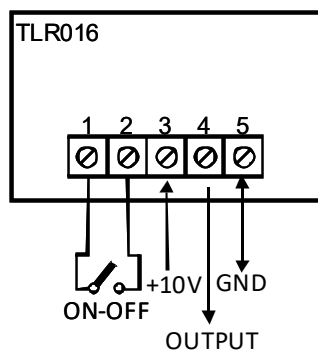
Advantages

- Special for ventilation systems
- High quality and low price
- Easy installation

Standards

- Low Voltage Directive 2014/35/EU
- WEEE Directive 2012/19/EU
- ROHS Directive 2011/65/EU

Wiring Diagram



Connection Control EC-Motor

